

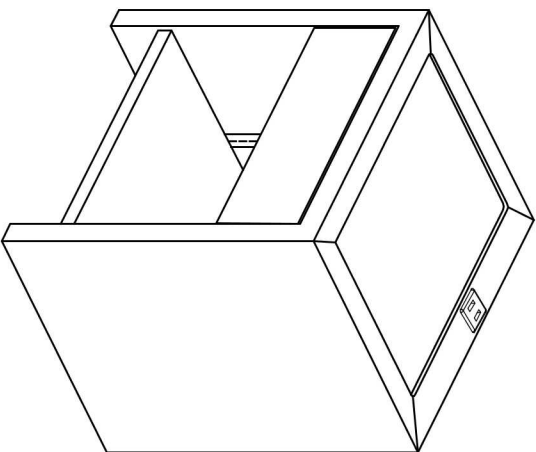
## HARROW BEDSIDE with USB PORTS

ASSEMBLE INSTRUCTION  
 †1 PEOPLE REQUIRED

Please take time to read these instructions and familiarize yourself with all the components that make up your new bedstead.

Please retain this leaflet for future reference.

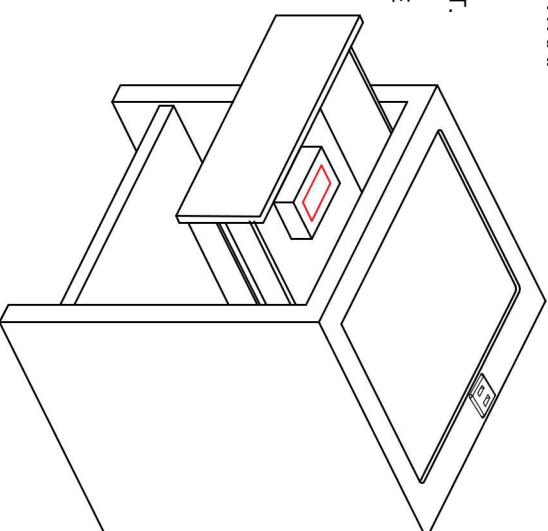
**WARNING !!!**  
 THIS PRODUCT CONTAINS SMALL PARTS AND PACKAGING THAT SHOULD BE KEPT AWAY AND OUT OF REACH FROM ALL CHILDREN.



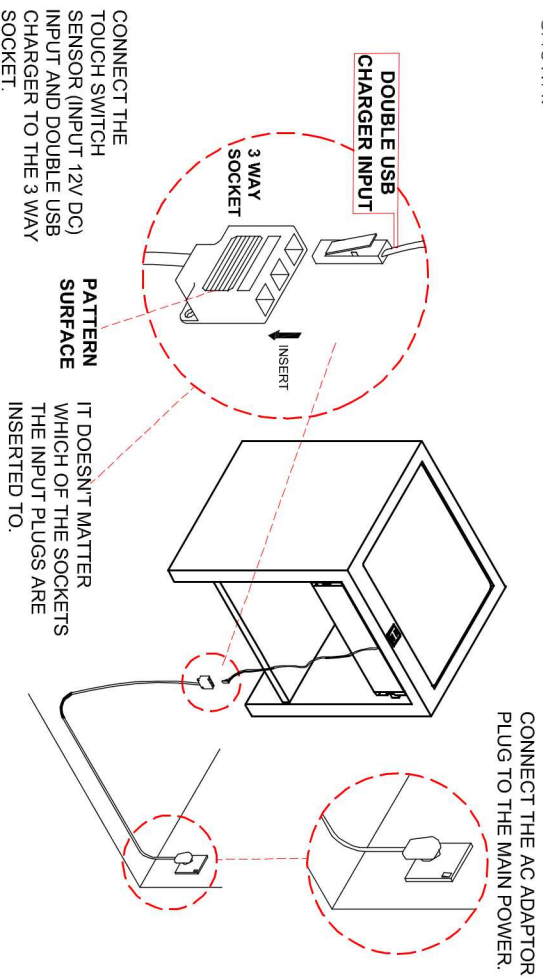
### 1-EQUIPMENT CHECK

CAREFULLY UNPACK ALL THE ITEMS FROM THE CARTON BOX. THEN CAREFULLY UNWRAP THE ITEM.

- A** PULL THE DRAWER OUT. TAKE OUT THE HARDWARE INSIDE THE DRAWER.



- B** CONNECT THE DOUBLE USB CHARGER INPUT TO THE 3 WAY SOCKET. FOLLOW DIAGRAM AS SHOWN.



**DO NOT USE ANY POWER TOOLS AS THIS MAY DAMAGE THE FRAME AND WILL INVALIDATE ANY CLAIM**

### FINAL TOUCH

#### PLEASE READ THE FOLLOWING INSTRUCTIONS.

1. DO NOT USE A KNIFE TO UNPACK AND UNWRAP THE GOODS.
2. DO NOT DRAG THE BED SIDE TABLE ACROSS THE FLOOR WHEN POSITIONING OR MOVING WHILST CLEANING.
3. DO NOT DROP ANY HEAVY ITEMS DIRECTLY ON THE TOP OF THE GLASS.
4. KEEP OUT OF DIRECT SUNLIGHT AND DAMP CONDITIONS IN ORDER TO KEEP THE COVER AND CONSTRUCTION IN GOOD CONDITION.
5. WIPE CLEAN WITH A DAMP CLOTH.
6. TIGHTEN ALL SCREW AT REGULAR INTERVALS. TO AVOID DAMAGE TO THE FRAME.
7. ENJOY YOUR PRODUCT.